



ACCESSIBILITY SOLUTIONS



How Harmar Makes a Difference

One-stop Shopping for Superior Products and Service

No Hassle Support. We stand behind our dealers with the best support in the industry and the full range of mobility and accessibility products with one-stop shopping.

Pre-Assembled Products. Harmar products are ready to install quickly and easily, with fewer extra parts and steps for installers, making your total installed cost affordable.

Customer Service. Harmar Specialists are committed to providing our dealers with superior customer service—before, during and after the sale.

Quality Assurance. Each and every accessibility and mobility product meets our high standards and are weight-tested at capacity before leaving the factory.

Safety and Testing. Harmar subjects every product well beyond its rated load along with life-cycle testing in excess of industry guidelines. We take pride in knowing that sound engineering practices and robust designs ensure customer satisfaction and safety.

The Growing Need for Residential Access

As more individuals plan to age in place, home access is gaining in importance.

The number of Americans aged 65 and older is expected to increase from 40 million in 2010 to 55 million in 2020.¹

This growth is three times the rate of the under 65 population

A recent AARP survey shows 89% of homeowners strongly prefer to remain in their homes as long as possible as they age.

80% of that aging population will require accessibility solutions to overcome their needs.

“Staying in their own homes as they age is important to nearly all adults 50+”

©2011 AARP Research & Strategic Analysis survey of over 29,000 adults age 50+. Reprinted with permission.

Contents

How Harmar Makes a Difference	2
Stair Lifts At-A-Glance	4
Accessibility Solutions At-A-Glance	5-6
Highlander Vertical Platform Lifts	7-13
How to Choose the Right VPL	7
Vertical Platform Lifts	8
Residential Vertical Platform Lifts	9
Commercial Vertical Platform Lifts	10
Portable Vertical Platform Lifts	11
Toe Guard Vertical Platform Lift	11
Enclosed Vertical Platform Lifts	12
VPL Accessories / Options	13
Helix Curved Stair Lift	14-15
Straight Stair Lifts	16-19
Pinnacle	16-18
Summit	19
Sierra Incline Platform Lift	20
Dumbwaiter	21
Ramps	22-23
Cargo Lift	24

Stair Lifts At-A-Glance



Lift Type	HELIX Curved Stair Lift	PINNACLE Stair Lift	PINNACLE HD Stair Lift	PINNACLE Stair Lift	SUMMIT AC/OUTDOOR Stair Lift
Model Number	CSL Series	SL600	SL600HD	SL300	SL350AC/ SL350OD
Weight Capacity	350 lb	350 lb	600 lb	300 lb	350 lb
Travel	Up to 164'	15'6" std; Up to 70'	15'6" std; Up to 40'	15'6" std; Up to 32'	15'6" std; Up to 25'
Drive	Steel Rack and Pinion	Nylon Polymer Helical Worm Gear	Nylon Polymer Helical Worm Gear	Nylon Polymer Helical Worm Gear	Cable Drive
Control Circuit	24V DC	24V DC	24V DC	24V DC	24V AC
Speed	20 fpm	20 fpm	14 fpm	20 fpm	20 fpm
Seat Backrest (W x H)	14" x 16"	17.5" x 17"	17.5" x 17"	16.5" x 9.5"	18.5" x 9"
Seat Bottom (W x D) Width - between armrests Depth - front to back	20" x 14"	20" x 15.5"	24" x 16"	19" x 15"	18" x 17"
Folded Width	15.25"	10.5"	17"	11"	14"
Incline Limits	Up to 60°	32° - 52°*	32° - 52°*	32° - 45°	30° - 45°
ETL	Yes	Yes	Yes	Yes	Yes/No
Warranty	Limited Lifetime 2-Year Parts 1-Year Battery	Limited Lifetime 1-year Battery	3-Year Parts 10-Year Gear Rack 1-Year Battery	2-Year Parts 10-Year Gear Rack 1-Year Battery	3-Year Parts
See Page	14-15	16	18	17	19

* ASME A18.1 - 45°

Accessibility Solutions At-A-Glance



Lift Type	INCLINE Cargo Lift	ASCENT Dumbwaiter
Model Number	CL350	DW100
Weight Capacity	350 lb	100 lb (Available up to 150 lb)
Lifting Height/ Travel	16' std; Up to 25'	12' std; Up to 32'
Drive/ Drive System	AC powered, belt driven winding cable 90V DC 1/3 hp motor	AC powered, belt driven winding cable 90V DC 1/2 hp motor
Electrical Requirements/ Control Circuit	24V AC	24V AC
Speed	20 fpm	24 fpm (100 lb) 20 fpm (150 lb)
Standard Platform/Seat/ Car Size	36" L x 21.5" W	20" W x 20" D x 30" H
Folded Width	13"	N/A
Outdoor	Optional	No
Incline Limits	30° - 45°	90°
ETL	No	Yes
Warranty	1-Year Parts	2-Year Parts
See Page	24	21

Accessibility Solutions At-A-Glance



Lift Type/ Application	HIGHLANDER Residential	HIGHLANDER Commercial	HIGHLANDER Toe-Guard VPL	HIGHLANDER Enclosed VPL	HIGHLANDER Portable VPL	SIERRA Incline Platform Lift (Residential only)
Model Number	RPL400-600	CPL400-1400	TG400	EPL400-1400	CPL400P	IL500
Weight Capacity	600 lb	750 lb	750 lb	750 lb	750 lb	500 lb Manual Wheelchairs
Lifting Height/ Travel	Up to 77"	Up to 171"	Up to 53"	Up to 171"	Up to 53"	16' std; Up to 40'
Drive/ Drive System	Belt driven ACME screw / 90V DC 1/3 hp motor. Optional 24V DC battery-powered unit.	Belt driven ball screw / 90V DC 1/3 hp motor with brake. Optional 24V DC battery-powered unit.	Belt driven ball screw/90V DC 1/3 hp motor with brake. Optional 24V DC battery-powered unit.	Belt driven ball screw/90V DC 1/3 hp motor with brake. Optional 24V DC battery-powered unit.	Belt driven ball screw / 90V DC 1/3 hp motor with brake. Optional 24V DC battery-powered unit.	Worm Gear 1/8 hp motor with brake
Electrical Requirements/ Control Circuit	120V AC 15A	120V AC 15A	120V AC 15A	120V AC 15A	120V AC 15A	24V DC
Speed	10 fpm	10 fpm	10 fpm	10 fpm	10 fpm	14 fpm
Standard Platform/Seat/ Car Size	36" x 48" w/ 36" high guard panels and automatic folding ramp.	36" x 54" w/ 42" high guard panels and grab rail w/ stationary ramp.	36" x 60" inside clear platform; straight through configuration.	36" x 60" w/ 42" high guard panels and grab rail w/ stationary ramp.	36" x 54" w/ 42" High Guard Panels and Grab Rail and auto- folding ramp.	25" x 36"
Folded Width/ Footprint	50" x 70" (including ramp)	50" x 54"	57" x 68"	54" x 65"	50" x 70" (including ramp)	13"
Outdoor	Yes	Yes	Yes	Yes	Yes	No
ETL	Yes	Yes	Yes	Yes	No	Yes
Warranty	1-Year Standard Indoor, 6-Month Standard Outdoor	2-Year Standard Indoor, 1-Year Standard Outdoor	2-Year Standard Indoor. 1-Year Standard Outdoor	2-Year Standard Indoor 1-Year Standard Outdoor	2-Year Standard Indoor, 1 Year Standard Outdoor	2-Year Parts 10-Year Gear Rack 1-Year Battery
See Page	9	10	11	12	11	20

Vertical Platform Lifts

How to Choose the Right Vertical Platform Lift

Highlander Series	Application
RPL	Ideal for low-rise residential accessibility up to 77". Basic configurations and accessories available, with a lower overall price point.
CPL	For all residential and commercial applications with lifting heights up to 171".
TG	For commercial applications, meets ADA standards for an enclosure where there is no hoistway. Great application for sites where major construction isn't an option. This is a self contained unit with top landing gate, platform gate, lower landing gate, and lower enclosure included. Lifting height up to 53".
Enclosed	Ideal for applications where there is no existing hoistway. Fully stand-alone, and effective for easy-to-install wheelchair accessible needs. Acrylic or steel enclosed panels with lifting heights up to 171".
Portable	Used when vertical access is infrequently needed. Not required to be mounted or secured to a floor. Lifting height up to 53".

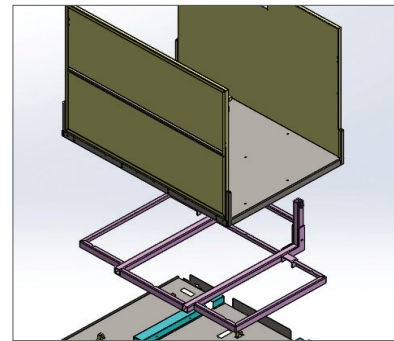
Highlander Platform Size Matrix												
	36" X 48"	36" X 54"	36" X 60"	42" X 54"	42" X 60"	36" X 54" 90°	36" X 60" 90°	42" X 54" 90°	42" X 60" 90°	36" X 54" CLEAR	36" X 60" CLEAR	SAME/SIDE ENTER/EXIT
RPL400-600	STD	OPT	-	-	-	OPT	-	-	-	OPT	-	-
CPL400-CPL1400	OPT	STD	OPT	OPT	OPT	OPT	OPT	OPT	OPT	OPT	OPT	OPT*
TG400	-	-	-	-	-	-	-	-	-	-	STD	-

* Not available for lift heights under 8'

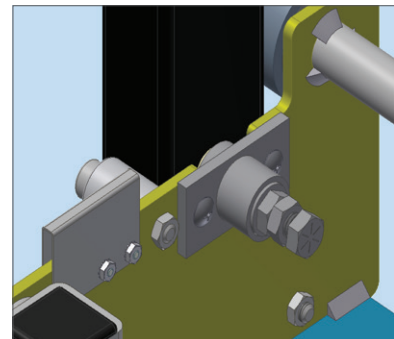
Vertical Platform Lifts

Platform

1. Added frame under large platforms (36x60, 42x54 & 42x60) for minimal deflection of the platform floor near the edges.
2. Modified platform floors to allow for attachment to frame for a more robust support of platform gates and minimal deflection of the platform edges.
3. Modified platform safety pan to allow for frame inclusion to maintain performance of the safety pan while allowing for the platform stiffening.
4. Shortened platform guard panels to eliminate guard panel edges rubbing against enclosure or hoist way wall.
5. Modified 90° exit platform threshold for a better attachment of guard panels and elimination of threshold hardware rubbing against enclosure or hoist way walls.
6. Added platform guard panel support brackets for a more robust support of the guard panels.



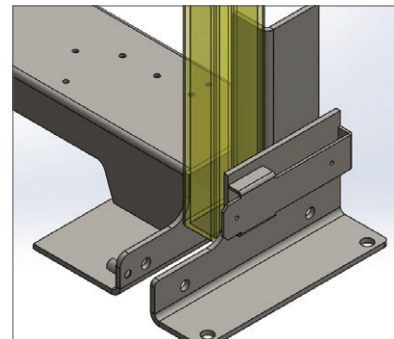
Platform Frame



Carriage Side Tensioning

Carriage

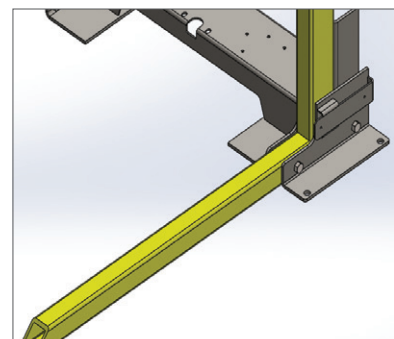
1. Added four adjustable carriage side tensioners to reduce side to side rocking of the platform.



Thicker Frame Tube

Tower

1. Increased tower frame tubes thickness to reduce front to back deflection on free standing towers.
2. Increased tower leg tube thickness for a more robust attachment of tower frame and less front to back deflection of free standing towers.



Thicker Tower Legs

Residential Platform Lifts

Residential RPL400-600

Residential access up to 77". A safe, smooth and economical solution for the shorter lifting heights more common in residential applications for indoors and/or outdoors. Compact footprint improves access to homes for elevations with raised entries, porches or short decks. Highlander RPLs feature a top-mounted motor and electrical box to simplify servicing and protect from standing water.

Features

- Ideal for Low Rise Residential Access
- Auto Folding Ramp
- Reliable Belt Driven ACME Screw Drive
- Weather Resistant Design
- Solid 36" Guard Panels

Safety Features

- Safety Pan
- Final Limit Switch
- Emergency Stop
- Non-Skid Surface
- Manual Lowering Device
- Acme Safety Nut w/ Monitor

Specifications

- Speed: 10 fpm (.05 m/s)
- Weight Capacity: 600 lb
- Electrical Requirements: 120V AC 15A

Lifting Heights

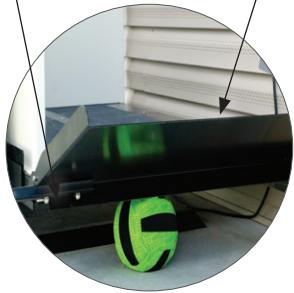
RPL400	Up to 53" (134.6 cm)
RPL600	Up to 77" (195.6 cm)



Rocker Switch and E-Stop



Safety Pan



Folding Ramp

Commercial Vertical Platform Lift



Shown with platform gate and top landing gate/auto-gate opener

CPL400-1400

Highlander Commercial Platform Lifts (CPLs) have lifting heights up to 171", provide easy installation and a variety of options. ETL approved. Safe, smooth and economical, the Highlander CPL lifts are designed with a top-mount motor and electrical box to simplify servicing and protect from standing water. Harmar's extensive portfolio also offers a broad range of accessories to ensure the best and safest fit for your needs.

Features

- Ideal for Commercial and Residential Settings
- Wide Variety of Configurations
- Three (3) Stop Capable
- Fixed Ramp (Auto Folding Optional)
- Low-Friction Ball Screw Drive
- Top-Mounted Motor and Electrical
- Weather Resistant Design
- Solid 42" Guard Panels

Safety Features

- Safety Pan
- Final Limit Switch
- Ball Nut Safety Back-Up
- Belt Monitor
- Non-Skid Surface
- Manual Lowering Device
- Emergency Stop Button
- Grab Rail

Specifications

- Speed: 10 fpm (.05 m/s)
- Weight Capacity: 750 lb
- Electrical Requirements: 120V AC 15A

Lifting Heights

CPL400	Up to 53" (134.6 cm)
CPL600	Up to 77" (195.6 cm)
CPL800	Up to 101" (256.5 cm)
CPL1000	Up to 125" (317.5 cm)
CPL1200	Up to 149" (378.5 cm)
CPL1400	Up to 171" (434.3 cm)

Portable Platform Lift and Toe Guard

Portable CPL400P

Harmar's Portable Vertical Platform Lift (CPLP) has four removable caster wheels to allow the unit to be easily moved to different locations. Especially convenient for facilities such as schools and churches.

Features

- 36" x 54" Platform
- Auto-Folding Access Ramp
- Platform Gate on Upper Exit Side
- Four (4) Removable Caster Wheels

Safety Features

- Safety Pan
- Final Limit Switch
- Grab Rail
- Belt Monitor
- Non-Skid Surface
- Manual Lowering Device
- Emergency Stop Button
- Ball Nut Safety Back-Up

Toe Guard TG400

Highlander Toe Guard's stationary lower landing walls and gate shield the vertical platform lift inside. As a self-contained VPL, Toe Guard needs minimal construction and meets ADA standards without requiring a hoistway. It is ideal for existing sites where major construction is not an option.

Features

- 36" x 60" Clear, Usable Platform
- 3-Gate System (Lower Landing, Platform, Top Landing) with EMI's
- Lower Landing Walls Prevent unwanted Access Under Lift
- Adjustable Fascia Panel up to 27"
- Fixed Ramp

Safety Features

- Manual Lowering Device
- Emergency Stop Button
- EMI Interlocks on all 3 gates*
- Ball Nut Safety Back-Up
- Final Limit Switch
- Belt Monitor
- Non-Skid Surface
- Grab Rail



* Platform gate is not an EMI

Enclosed Vertical Platform Lifts



Enclosed EPL400-1400

For a more finished look indoors, or weather-protection in the elements, Harmar's Enclosed Vertical Platform Lifts (EPLs) can fit virtually any applications up to 171" of lifting height. Factory-enclosed walls, integrated doors and gates, choice of drive options and platform sizes, plus an extensive accessory portfolio fit a wide range of applications.

Features

- 36" x 60" Straight Through Platform
- Steel Panels; Acrylic Panels Optional
- 6'8" Lower Door with EMI
- 42" Upper Gate with EMI
- Three (3) Stop Capable
- Fixed Access Ramp
- Solid 42" Guard Panels

Safety Features

- Final Limit Switch
- Ball Nut Safety Backup
- Belt Monitor
- Non-Skid Surface
- Manual Lowering Device
- Emergency Stop Button
- EMIs at Landings
- Grab Rail

Specifications

- Speed: 10 fpm (.05 m/s)
- Weight Capacity: 750 lb
- Electrical Requirements: 120V AC 15A

Lifting Heights

EPL400	Up to 53" (134.6 cm)
EPL600	Up to 77" (195.6 cm)
EPL800	Up to 101" (256.5 cm)
EPL1000	Up to 125" (317.5 cm)
EPL1200	Up to 149" (378.5 cm)
EPL1400	Up to 171" (434.3 cm)



Optional Dome Top

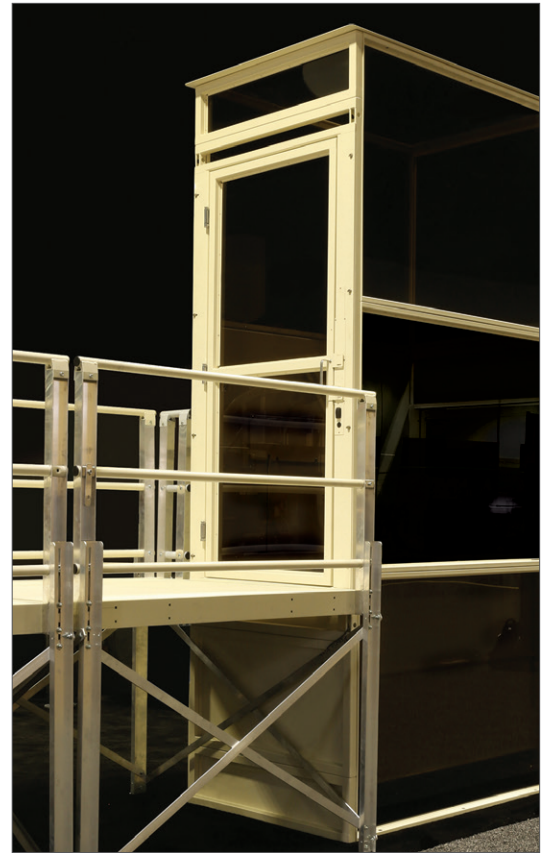
VPL Accessories / Options

Express Deck

Harmar's Express Deck is an attractive, universal, all-in-one solution that allows you to easily complete VPL installs for up to 48". The durable aluminum, non-permanent structures provide a quick, efficient, no-build solution for your job site. Choosing the Express Deck allows you to complete installations in the fraction of time it would take you to build.

Features

- Durable all-aluminum solution is built to last
- Standard 5' x 5' landing area,
- Units can be combined to create a larger deck
- Universal design allows VPL handrails, doors, and steps to be positioned easily on any side.
- Express Deck package includes legs, handrails, and all hardware (optional steps available)
- Hurricane straps available
- Gate-ready



Outdoor Premium Protection Options

WARRANTY	RPL	CPL	EPL/TG
• Standard - Indoor	1-Year	2-Year	2-Year
• Standard - Outdoor	6-Months	1-Year	1-Year
• Premium - Outdoor	1-Year	2-Year	2-Year

Helix Curved Stair Lift

Helix handles stairs with curves and angles with a slimmer, sleeker design. The narrow profile mounts closer to the wall, hugging the stairway with tighter bends and flowing radius curves. The ride is ultra smooth—and whisper quiet.

Ergonomically-designed seat and armrests include premium upholstery. Standard manual swivel and full-fold armrests make entry and exit easier.

Features

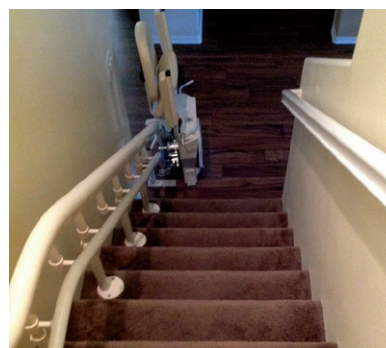
- Narrower Profile
- Tighter Curves
- Smooth, Quiet Ride
- Lighter Rail and Less Assembly
- Easy Diagnostic Port

Safety Features

- Direction Limit Switches
- Final Limit Switch
- Footrest Obstruction Switch
- Seat Swivel/Cut-off Switch
- Constant Pressure Controls
- Retractable Seat Belt
- Safety Edges
- Emergency Stop (Optional)

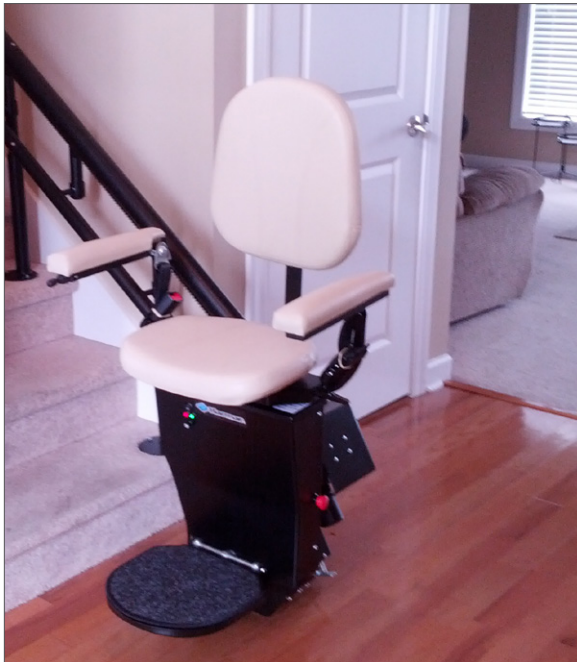
Specifications

- Speed: 20 fpm
- Weight Capacity: 350 lb
- Electrical Requirements: 100-240V AC; 50/60 Hz





Seat folds to 16" while not in use to allow for others to pass



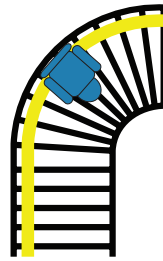
Available in beige or black

Custom Built to your exact specifications with industry's best lead times. The Helix Curved Stair Lift (CSL) adjusts smoothly to your staircase configuration to save space, folds and tucks into a parked position when not in use.

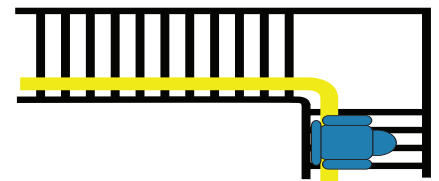
- True-Curved Rail, Smooth, Precise Bends and Turns
- Industry's Best Lead Times
- Easy Installation, Less In-Field Assembly, Simple-Connect Rails, Lighter Weight Chassis, Easier Bolting
- Emergency Stop - Side Positioned for Easy Access
- Outdoor Option Available

Helix Models-Descriptions

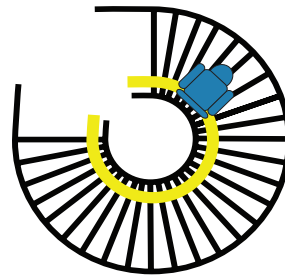
CSL510	Straight Rail w/ Top or Bottom Overrun
CSL511	Straight Rail w/ Intermediate Landing
CSL560	Spiral - 20' Rail
CSL570	Sweep - 20' Rail
CSL580	180° First Turn - 20' Rail
CSL590	90° First Turn - 20' Rail



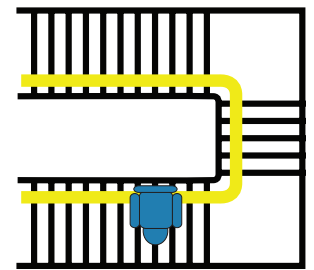
CSL570 Sweep



CSL590



CSL560 Spiral



CSL580

Pinnacle Straight Stair Lifts

SL600

Full-Feature Pinnacle—Engineered to the highest industry standards, Pinnacle Stair Lifts are designed for optimal comfort, convenience and aesthetics. The space-saving Pinnacle SL600 folds to 10.5" making it the narrowest lift on the market. Its patented helical worm gear drive generates the smoothest, greaseless and most energy-efficient ride available.



Control Switch



Features

- Just 10.5" Wide Folded
- Energy-Efficient Helical Worm Drive
- Ergonomic Control Switch
- No Lubrication Required
- Folding Rail Option
- Retractable Seatbelt

Safety Features

- Centrifugal Overspeed Brake
- Bi-directional Footrest Obstruction Sensor
- Seat Swivel Cut-off Switch
- Final Limits
- Chassis Obstruction Sensors

Specifications

- Speed: 20 fpm
- Weight Capacity: 350 lb
- Electrical Requirements: 100–240V AC; 50/60 Hz
- Commercially Rated

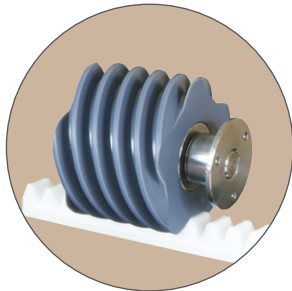


SL300

Price-Point Pinnacle—The SL300 gives you peace of mind knowing it's efficient motor offers extended performance during power loss, up to 40 trips up and down. Owners of this stair lift will enjoy a smooth stable ride due to its patented Helical Worm Gear and Nylon Polymer Gear Rack. Pinnacle is the most compact of stair lifts, folding closer to the wall so others can pass easily.

Features

- 300 lb Standard, Economical Seat
- Energy-Efficient Helical Worm Drive
- Ergonomic Control Switch
- Oversized Footrest
- Folded Width 11"
- Folding Rail Option
- No Lubrication Required



Patented
Worm Gear Drive



Seat folds to 11" while not in use to allow others to pass

FOLDING RAIL MODELS SL300FR AND SL600FR

Fully Automatic -100% Mechanical

Harmar's patented folding rail is an innovative option that was designed to eliminate obstructions at the bottom of the stairs. Folds upright when not in use.

Features

- Comes Assembled—No Extra Time in the Field
- Charging Strips Above and Below the Hinge
- Adaptable—Can Be Retrofit at a Later Date
- Changeable from Left to Right Side—Even in the Field
- Adjustable Rubber Feet on Rail to Avoid Scratching the Floor



Pinnacle HD Straight Stair Lift



SL600HD

Heavy-Duty Pinnacle—High-backed, contoured 25" wide seat ensures a comfortable and secure ride. Sturdy, stationary armrests and reinforced footrest add stability for safer transfers. Slides out from wall as it pivots at landings.

Features

- 600 lb High Capacity Seat
- Travels up to 45° Incline
- Swivels 85° at Upper and Lower Landings
- Non-Handed for Easy Install Right or Left Side
- Integrated Constant-Pressure Controls
- Footrest and Chassis Obstruction Sensors
- Centrifugal Over-Speed Brake
- Folds 17" From Wall Allowing Others to Pass While Not in Use



Footrest and Chassis Obstruction safety sensors



High capacity seat pivots 85° as it slides out to allow for installation closer to the wall and easier dismount

Summit Indoor / Outdoor Stair Lift

Engineered to withstand the elements. The Summit is made with durable extruded aluminum track with seating in exterior marine-grade vinyl. Handles rain, wind, snow. Designed for longer outdoor applications with operating temperatures ranging from 0°-125°F (-17°-51°C). Seat and fold rest fold to allow for unobstructed passage when not in use. Includes header, internal chassis, and large weather proof covers for even more protection.

Features

- Designed for Long-Term Outdoor Use
- Speed Regulator
- Travels Up to a 45° Incline (min. 30°)
- Seat and Footrest Fold
- Zinc Plated Components
- Marine-Grade Vinyl Seat Cushions
- Header Cover, Internal Chassis Cover and Large Weatherproof Cover Included

Safety Features

- Footrest Obstruction Switch
- Swivel Seat Cut-off Switch
- Final Limits
- Slack Cable Break w/ Switch
- Constant Pressure Controls
- Seat Belt

Specifications

- Speed: 20 fpm
- Weight Capacity: 350 lb
- Electrical Requirements:
Summit AC - 120V AC / 60 Hz
Dummit DC - 120V AC / 60 Hz (Battery Powered 24 V DC)

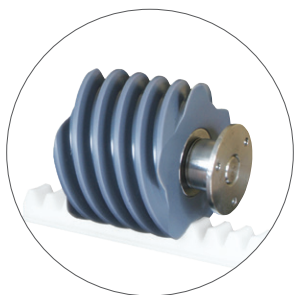


Safety Sensor

Sierra Inclined Platform Lift



NOTE: The IL500 is rated for indoor use for manual wheelchairs only.



Patented Worm
Gear Drive



Safety Sensors

IL500

Sierra Inclined Platform Lift is the versatile indoor solution that transports a manual wheelchair up and down a level with the user. This accessibility option allows the user to maintain use of their wheelchair on more than one level. Optional fold down seat enables the user to also use it as a stair lift when the mobility device is not needed. NOTE: IL500 is rated for manual wheelchairs only.

Features

- Easy Installation—Mounts to the Stairs, no Major Construction Required
- Folds to Only 13" Wide
- Auto-Folding Safety Ramps at Top and Bottom
- Gas-Shock Assist Makes Folding Platform Easy
- Easy Diagnostic Light
- Residential Use Only

Safety Features

- Overspeed Governor
- Upper and Lower Limits
- Upper and Lower Final Limits
- Safety Ramps
- Ramp Obstruction Sensors
- Safety Pan Obstruction Sensors
- Drive Chassis Obstruction Sensors
- Non-Skid Surface

Specifications

- Speed: 14 fpm (.05 m/s)
- Weight Capacity: 500 lb
- Electrical Requirements: 100–240V AC; 50/60Hz



← 13" Folded →

Dumbwaiter

DW100

Ascent's entire drive system is pre-installed on a section of track unlike dumbwaiters with complex pulley systems, rails and control cables to install.

On site installation is as simple as connecting sections of track, securing drive cable to the header, and wiring the controls and interlocks. Reduces up to a full day of installation time compared to other dumbwaiters.

Features

- Fast, Easy Installation
- Automatic Operation Controls
- Single Rail System
- No Pulleys to Install
- Car & Drive System Pre-Mounted
- Easy plug 'n play Wiring

Safety Features

- Low Voltage
- Standard and Final Limit Switches
- Slack Cable Device With Safety Switch

Specifications

- Speed: 24 fpm for 100 lb standard/
20 fpm for 150 lb
- Weight Capacity: up to 150 lb
- Electrical Requirements: 120V AC 15A



G.A.L. Interlocks (Standard)
(EMI Optional)



Easy-open, bi-parting car
doors (shown in optional
stainless steel)

Ramps

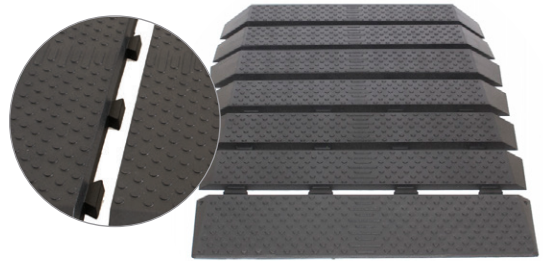
Modular Rubber Threshold

Rubber Threshold Ramps provide a durable, safe means of navigating uneven surfaces including small steps and doorways. A hidden dovetail locking system allows for easy installation and incremental ramp height adjustment of up to 4".

Capacity: 850 lb

Width: 36" of usable space

Threshold Heights: 1" to 4"



Aluminum Threshold

Lightweight aluminum ramp improves access over almost any doorway. Pre-punched holes at the top make installation quick and easy.

Capacity: 600 lb

Width: 32"

Threshold Heights: ¼" to 4"



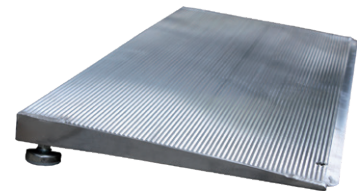
Adjustable Threshold

Unique design with adjustable feet customize fit for thresholds up to 6"; works with doorways that swing in or out. Durable welded construction; slip-resistant grooved aluminum.

Capacity: 600 lb

Width: 32" or 48"

Threshold Height: 1" to 6"

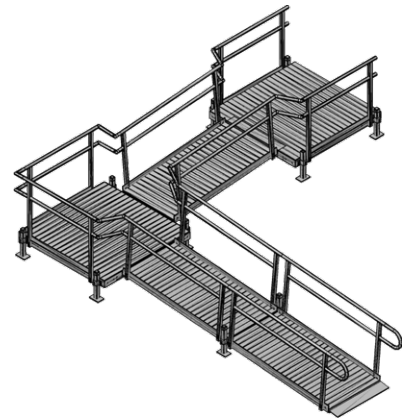


Elevation Modular Ramps

These durable ramps make entry and exit simple and secure. Non-corrosive aluminum construction ensures your ramp will last for years to come. Designed to accommodate wheelchairs, scooters, walkers, and even power wheelchairs.

Capacity: 850 lb

Width: 30"

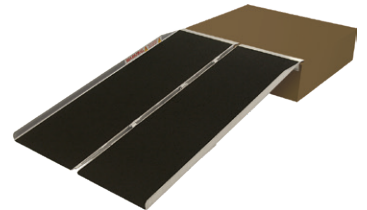


Single-Fold

Lightweight, with amazing strength. Quick set-up, folds in half lengthwise to carry like a suitcase. Excellent stability with slip-resistant surface.

Capacity: 600 lb

Width: 30"

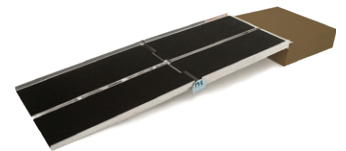


Multi-Fold

One of the most versatile ramps available. Separates into two pieces; each piece folds to carry like a suitcase. Patented hinge eliminates pinch points while adding strength. Anti-slip, high traction surface on aluminum.

Capacity: 800 lb (AR312 - 600 lb)

Width: 30"



Cargo Lift



Incline CL350 / CL350OD

The CL350 Incline Cargo Lift mounts easily on a stairway and has the capacity to move up to 350 lb of cargo. Folds when not in use to increase space for foot traffic on stairs. This lift operates on standard 120V AC household current, and offers constant pressure controls.

The Outdoor Incline Cargo Lift has zinc-plated components that help to prevent corrosion. Multiple covers designed for exterior environments.

Features

- Fast, Easy Installation
- Automatic Operation Controls
- Single Rail System
- No Pulleys to Install
- Standard and Final Limit Switches

Safety Features

- Upper And Lower Landing Limits
- Upper Final Limit
- Slack Cable Brake With Electrical Shut Off

Specifications

- Speed: 20 fpm
- Weight Capacity: 350 lb for CL350
- Electrical Requirements: 120V AC 20 AGC

Harmar specializes in a full range of solutions designed to enhance independence and improve quality of life. Not only do we offer the full line of accessibility solutions at home, we design a comprehensive array of auto lifts to transport power chairs, scooters, or manual wheelchairs easily. Choices include Outside, Inside, Hybrid, Micro, Truck lifts and Heavy-Duty versions for today's larger mobility devices. All offer the reliability, convenience and quality you expect from a Harmar product.



Inside Auto Lifts/Hoists

Inside Lifts are mounted in the vehicle's cargo area with a hoist mechanism that swings outside the vehicle to load and lift the mobility device into the vehicle. Although relatively easy to use, a hoist lift requires the most interaction by the user who guides the power chair or scooter to avoid interference as it enters the vehicle.

Outside Auto Lifts

An Outside Auto Lift is attached to the vehicle by means of a hitch and consists of a motor and platform. The user guides the power chair or scooter onto the platform and pushes a control to raise the platform, carrying the device on the back of the vehicle. Outside lifts are among the easiest type of lifts to use.



Truck Lifts

Harmar provides the power and security to transport virtually any mobility device via Standard, Extended Cab or Crew Cab Trucks. They accommodate a growing variety of truck cab and bed sizes.

Hybrid Auto Lifts

Hybrid Lifts are mounted in the vehicle's cargo area and are designed to move out and down to so that the mobility device can be driven onto the platform at ground level. The user then pushes the control and the platform rises to secure the device inside the vehicle for transport. It's great for protecting the power chair or scooter during travel and while parked.

Harmar's specifications and product information are subject to change due to our continuous improvement. While every care has been exercised to list accurate and up-to-date specifications, we cannot assume responsibility for any changes, omissions or inadvertent errors. Please contact Harmar directly to confirm the latest product performance specification(s) that are critical to your project.



Curved and Straight
Stair Lifts



Dumbwaiters and
Cargo Lifts



Multiple auto lift solutions
for chair or scooter



Incline Platform Lifts



*Images used for this brochure are for illustrative purposes only, please refer to local code for specific configuration requirements.