



Chrysler Pacifica

Northstar® Conversion



VMI Northstar®

with Access360®

Power In-Floor Ramp

VMI prides itself in producing the easiest to use, most accessible mobility solutions in the world. The Northstar in-floor ramp system, a VMI specialty since 1993, offers an array of features that simply cannot be matched by vehicles with fold-out ramps. VMI Northstar owners get all of the benefits of an in-floor ramp without the compromise associated with rear-entry or fold-out conversions.





The intelligent and refined Access360® conversion sets a new standard for wheelchair-accessible minivans because it provides more. More space for even the largest power chairs to enter the vehicle and maneuver inside, more flexibility and ease of use, more pleasing aesthetics and more confidence that it will deliver a safe, high-quality owner experience.



Obstruction-Free Doorway

Safe entry and exit without deploying the ramp for able-bodied passengers.



PowerKneel®

Lowers the vehicle to provide a reduced ramp angle for easy entry & exit. Can deactivate for deployment onto a curb.



Front and Mid-Row Access

Wheelchair users can sit in the front row or mid row.



One-Touch Controls

One-touch controls make it easy to deploy or stow the fully powered Northstar ramp system using the VMI dash button, OEM remote and other interior vehicle buttons!

Step Flares

Step with microspike textured non-slip surface enables assisted access to the front seats.

Stowed Northstar ramp is protected within the vehicle floor with no squeaking or rattling. In-floor ramp keeps dirt and debris out of vehicle cabin.



Engineered to be one of the quietest wheelchair accessible vehicles available.





Rear Bench Footrest

VMI's lightweight footrest is easy to use and offers additional comfort for passengers seated on the rear bench.



VMI's integrated cup holders are convenient and easy to use.



All VMI conversions come with 3 year / 36,000 mile* warranty coverage!

**whichever comes first*



Sure Deploy®

Provides a simple way to operate the ramp in the event of vehicle power loss.



Independent Suspension

Individual suspension on each wheel coupled with a lower center of gravity allows the van to ride smoothly on uneven roads.



100% Crash Tested

Meets or exceeds all Federal Motor Vehicle Safety Standards governed by NHTSA (National Highway Transportation Safety Administration).



30" Wide Ramp with 1,000 lb Weight Capacity

VMI's Chrysler Pacifica Northstar has a wide, durable ramp to accommodate large power wheelchairs.



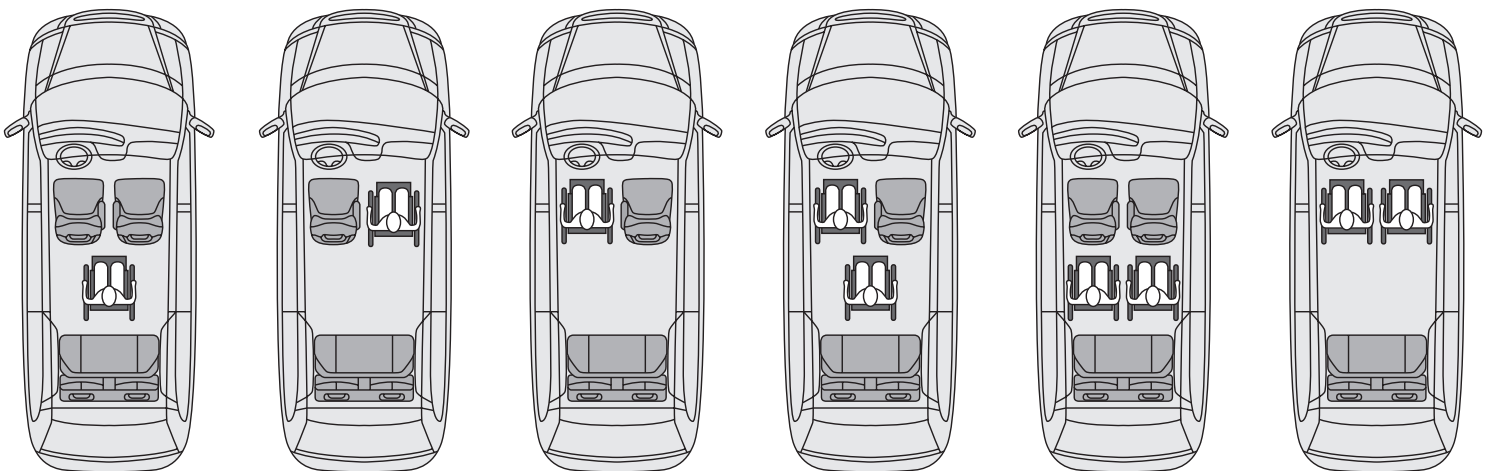
Interchangeable Front Seats

Now you can easily switch seating positions when you're on the go!

VMI's Chrysler Pacifica offers removable and interchangeable front row seats. Both seats can be secured in the driver or passenger position. They are equipped with wheels, making them easy to remove and reposition.

Seating Flexibility

Multiple seating options for VMI's Chrysler Pacifica conversion allows for independence and flexibility. Wheelchair users can choose to drive from their chair, sit in the front passenger position, or ride in the middle of the van. This diagram shows just some of the many possible options.



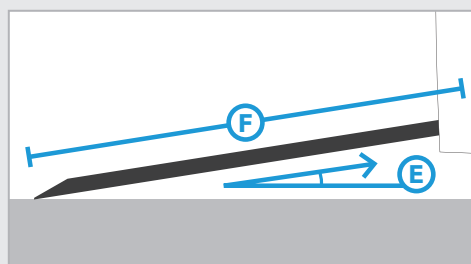
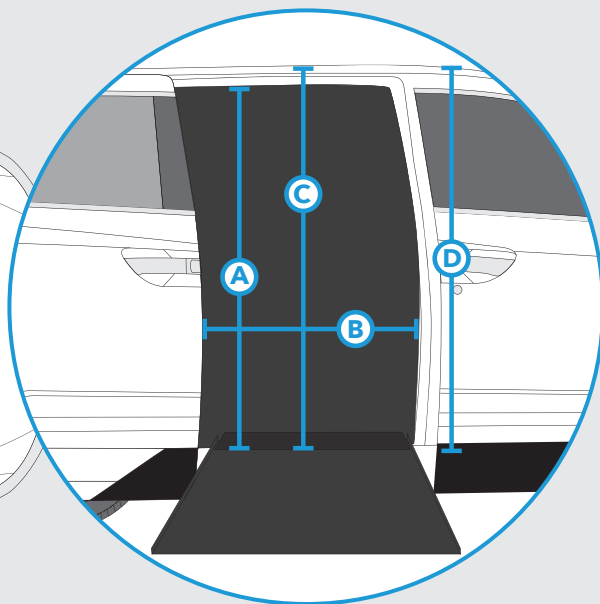
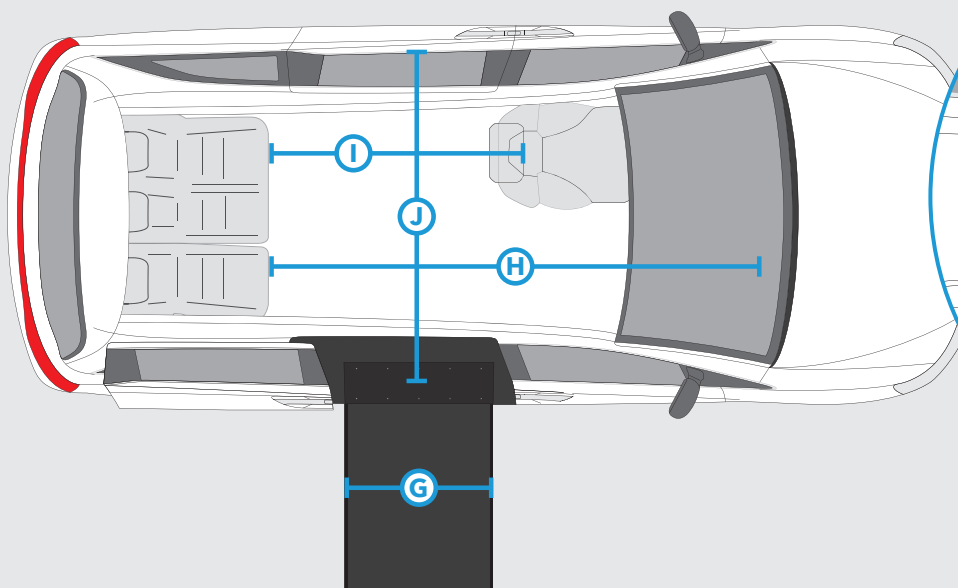
Durafloor

Optional Feature

- Unique rubberized flooring
- Provides excellent wheelchair traction
- Durable and easy to clean
- Additional layer of noise-reducing insulation



Specifications



		Northstar
A	Door Opening Height	56"
B	Door Opening Width	29.3"
C	Interior Height at Center Position	59"
D	Interior Height at Front Position	60" (without sunroof)
E	Ramp Angle	9° (with PowerKneel® on)
F	Ramp Length (angled ramp and transition plate)	59"
G	Ramp Width (usable)	30"
	Ramp Capacity	1000 lbs
H	Floor Length Overall	91.5"
I	Floor Length Behind Front Seats (from B pillar)	65.8"
J	Floor Width	60.2"
	Ground Clearance	4.6" (at exhaust)
	Overall Vehicle Height	74.6" (without antennae)

Specifications apply to 2019 VMI Chrysler Pacifica with a Northstar conversion. Measurements may vary based on vehicle trim levels and environmental factors. To ensure best vehicle fit, please visit with your local dealer to confirm vehicle measurements prior to purchase. All information is subject to change without notice. © 2019 Vantage Mobility International. All rights reserved.



Imagining Possibilities in Everything We Do

For more than 30 years, VMI has applied its innovation and expertise to build advanced mobility products that allow our customers to experience greater freedom and access to life. We are committed to you and understand how transportation can bring you greater freedom and independence. Our quality, state-of-the-art lineup of mobility products provides ease of use, maneuverability and flexibility. All of our vans have been 100% crash tested and include a 3 year / 36,000 mile (*whichever comes first*) conversion warranty.



Dealer Network

Our more than 500 dealers are trained to carefully evaluate each customer and his or her unique needs in order to recommend the right mobility product. It's all part of our commitment to provide superior customer service and the most fulfilling ownership experience.



MQAP Certified

Fully meets compliance requirement standards instituted by the National Mobility Equipment Dealers Association for manufacturer quality assurance.



Proud Member
Since 1990



Proud Sponsor
Since 1999



855-VMI-VANS • vmivans.com • 5202 S 28th Place Phoenix, AZ 85040
(864-8267)